

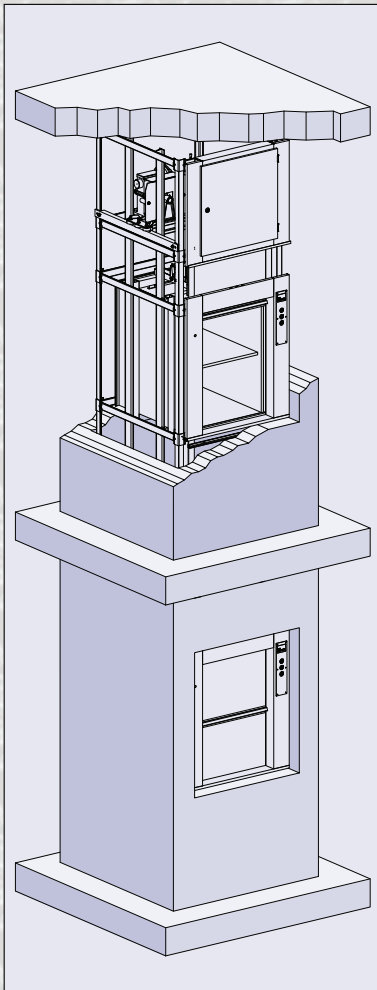
BKGB

Heisplan

# SERVICE LIFTS



5 kg - 300 kg



## LIFT WITH BI-PARTING DOORS AT SERVING HEIGHT

### Loading:

- at one side
- opposite sides
- adjacent sides

### Lift machine positioned:

- above the shaft
- below the shaft
- beside the shaft

### Capacity:

- 50 kg
- 100 kg
- 300 kg

### Lifting speed:

- $v = 0.20$  m/s
- $v = 0.25$  m/s
- $v = 0.30$  m/s
- $v = 0.45$  m/s

### Standard car dimensions:

- min. 300 mm wide, max. 1000 mm wide
- min. 320 mm deep, max. 1000 mm deep
- min. 600 mm high, max. 1200 mm high



## LIFT WITH BI-PARTING DOORS AT FLOOR LEVEL

### Loading:

- at one side
- opposite sides

### Lift machine positioned:

- above the shaft

### Capacity:

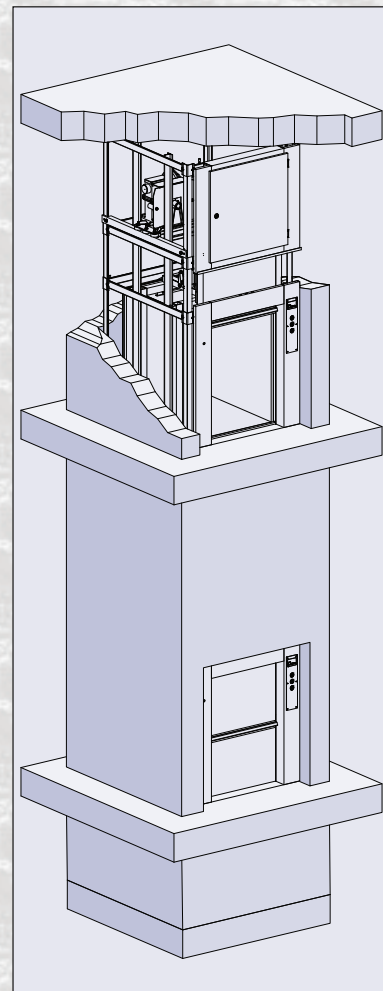
- 100 kg
- 300 kg

### Lifting speed:

- $v = 0.20$  m/s
- $v = 0.30$  m/s

### Standard car dimensions:

- min. 400 mm wide, max. 1000 mm wide
- min. 600 mm deep, max. 1000 mm deep
- min. 800 mm high, max. 1200 mm high





## LIFT WITH HINGED DOORS AT FLOOR LEVEL

single or double door

### Loading:

- at one side
- opposite sides
- adjacent sides

### Lift machine positioned:

- above the shaft
- at the bottom beside the shaft

### Capacity:

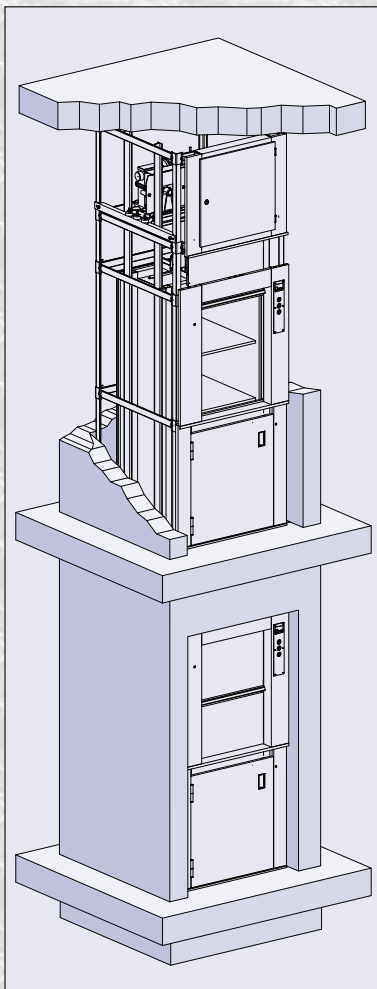
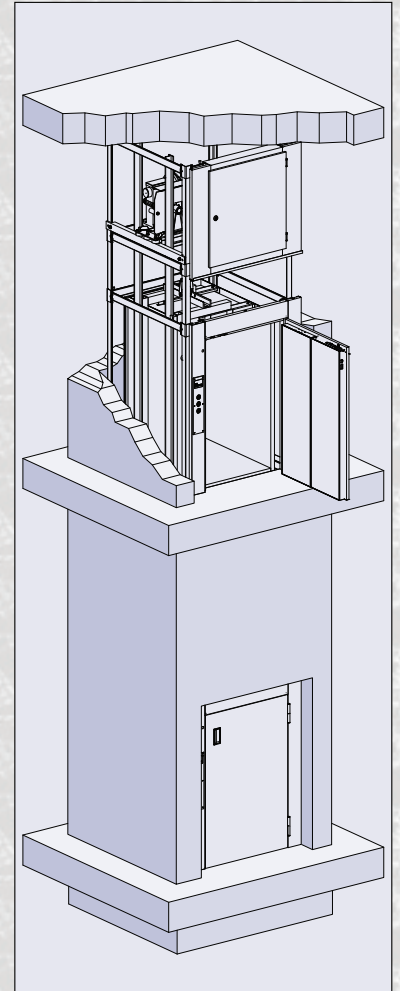
- 100 kg
- 200 kg
- 300 kg

### Lifting speed:

- $v = 0.15$  m/s
- $v = 0.20$  m/s
- $v = 0.25$  m/s
- $v = 0.30$  m/s

### Standard car dimensions:

- min. 400 mm wide, max. 1000 mm wide
- min. 600 mm deep, max. 1000 mm deep
- min. 800 mm high, max. 1200 mm high



## BI-PARTING DOOR/ HINGED DOOR COMBINATION

### Loading:

- at one side
- opposite sides

### Lift machine positioned:

- above the shaft

### Capacity:

- 100 kg
- 300 kg

### Lifting speed:

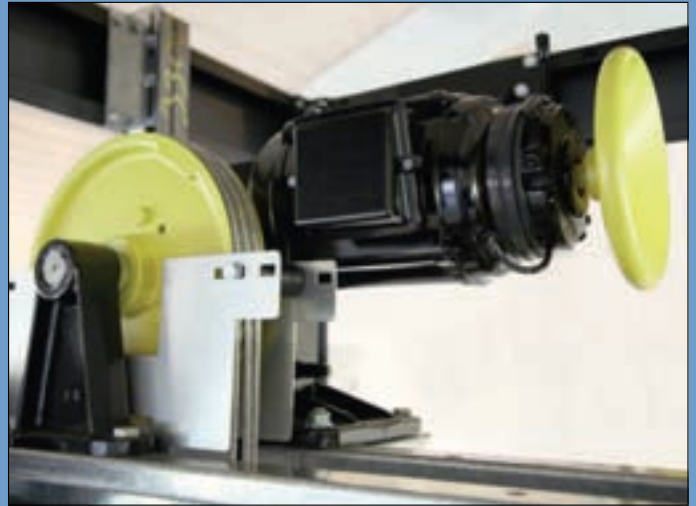
- $v = 0.20$  m/s
- $v = 0.30$  m/s

### Standard car dimensions:

- 550 mm or 600 mm wide
- 700 mm deep
- 1700 mm high

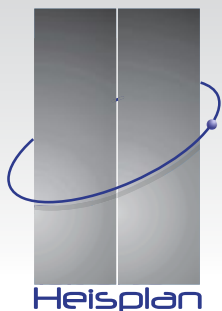


Other variations on request. Subject to alteration.



### Special types:

- Service lifts with automatic bi-parting landing doors
- Service lifts with structure prepared for glazing by others
- Marine lifts based on "Lloyd's Register of Shipping"
- Service lifts for explosion-hazardous locations
- Service lifts with a higher speed of up to  $v = 1.0$  m/s



#### Ålesund / Trondheim:

**Post:**  
Postboks 6551 – Hatlane  
6024 Ålesund  
**Kontor:**  
Vestre Bingsa Industriveg 7  
6019 Ålesund  
**Telefon:** 0047 - 95 17 17 00  
0047 - 90 80 54 10  
**E-post:** post@heisplan.no

#### Oslo / Stavanger / Bergen:

**Post:**  
Slattum Terrasse 39C 1480 Slattum  
Telefon: 0047 - 91 39 77 15  
**Besøksadresse:**  
Hadelandsveien 835  
1482 Nittedal  
**www.heisplan.no**  
**www.rulletrapp.com**