

BKGB

Heisplan

GOODS LIFTS



300 kg - 500 kg

GOODS LIFT

BKG type:

- 300.15/43F

Capacity:

- 300kg

Operating speed:

- $v = 0,15$ m/s

Loading:

- one side
- open through

Shaft structure:

- auxiliary structure for installation in a shaft

Landing doors:

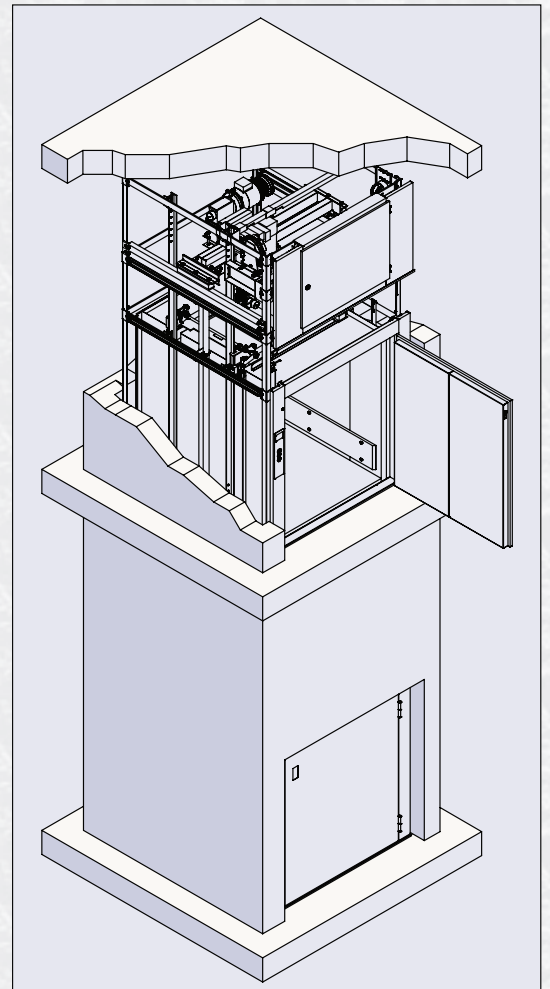
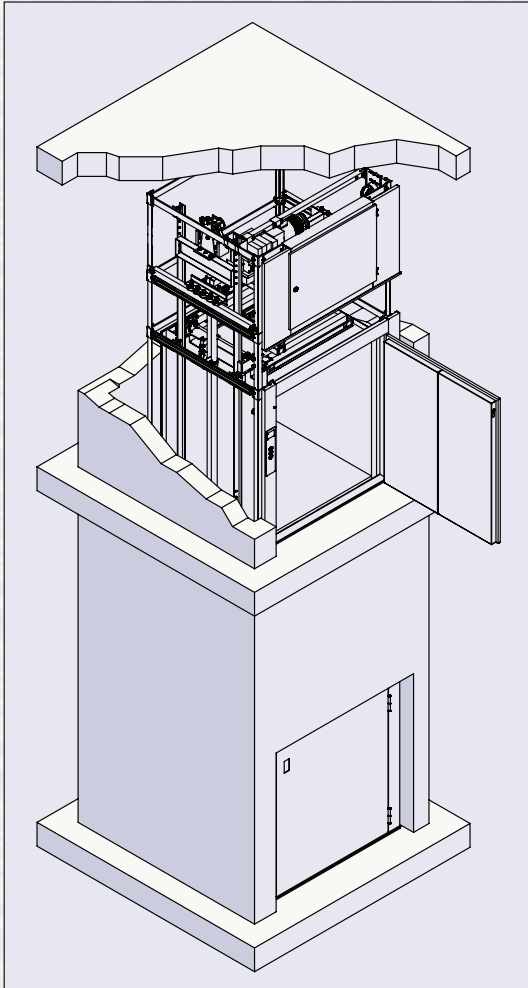
- single hinged door

Car dimensions:

- min. 600 mm wide, max. 1000 mm wide
- min. 800 mm deep, max. 1000 mm deep
- min. 1300 mm high, max. 2000 mm high

Location of the winding unit:

- in the headroom



GOODS LIFT

BKG type:

- 300.15/45F

Capacity:

- 300 kg

Operating speed:

- $v = 0,18$ m/s

Loading:

- one side
- open through

Shaft structure:

- auxiliary structure for installation in a shaft

Landing doors:

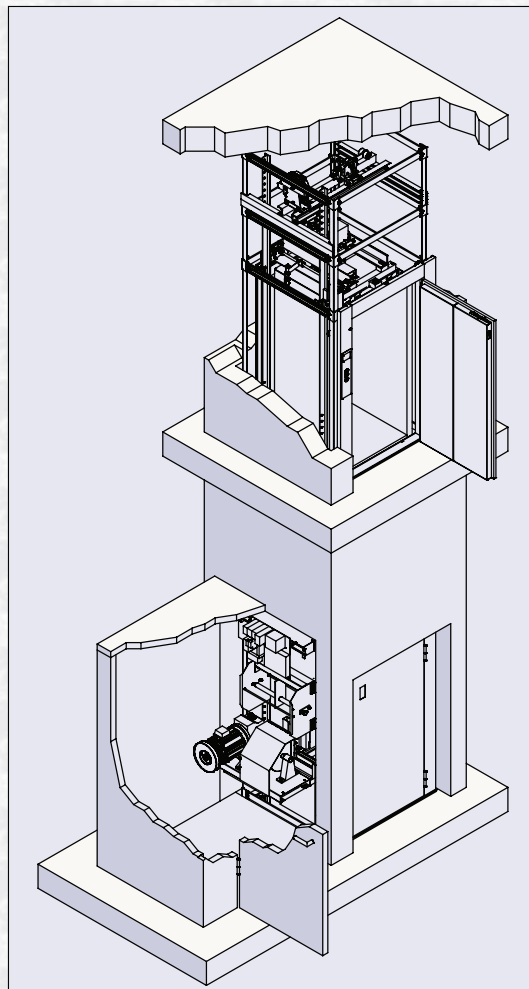
- single hinged door

Car dimensions:

- min. 600 mm wide, max. 1000 mm wide
- min. 800 mm deep, max. 1000 mm deep
- min. 1300 mm high, max. 2000 mm high

Location of the winding unit:

- at the bottom beside the shaft





EURO-PALLET-LIFT

BKG type:

- 300.15/47F

Capacity:

- 300 kg

Operating speed:

- $v = 0,15 \text{ m/s}$

Loading:

- one side
- open through

Shaft structure:

- auxiliary structure for installation in a shaft

Landing doors:

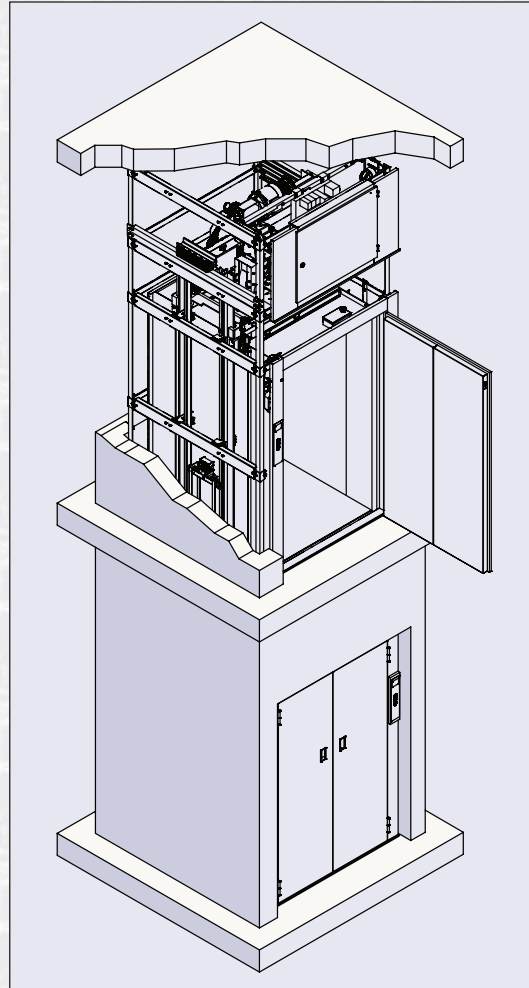
- single hinged door

Car dimensions:

- 1000 mm wide
- 1300 mm deep
- 1200 mm high

Location of the winding unit:

- in the headroom



GOODS LIFT

BKG type:

- 500.15/44F

Capacity:

- 500 kg

Operating speed:

- $v = 0,15 \text{ m/s}$

Loading:

- one side
- open through

Shaft structure:

- auxiliary structure for installation in a shaft

Landing doors:

- double hinged door

Car dimensions:

- min. 800 mm wide, max. 1200 mm wide
- min. 1100 mm deep, max. 1500 mm deep
- min. 1300 mm high, max. 2000 mm high

Location of the winding unit:

- in the headroom

GOODS LIFT

BKG type:

- 500.15/46F

Capacity:

- 500 kg

Operating speed:

- $v = 0,18 \text{ m/s}$

Loading:

- one side
- open through

Shaft structure:

- auxiliary structure for installation in a shaft

Landing doors:

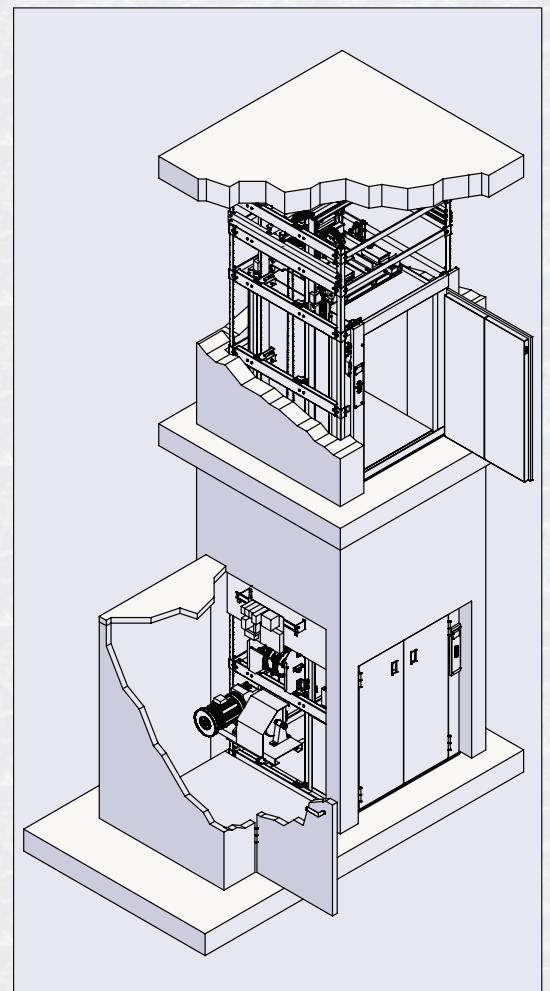
- double hinged door

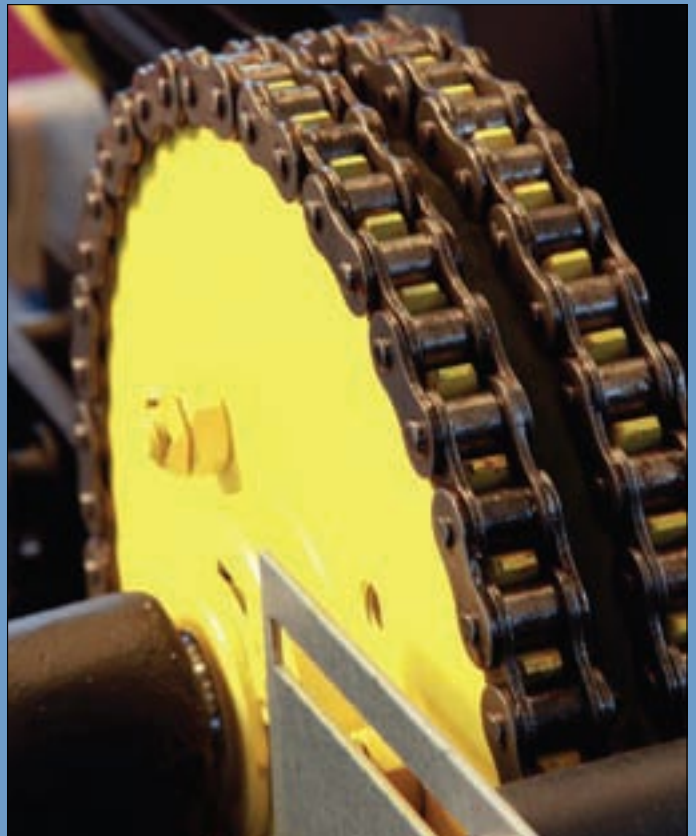
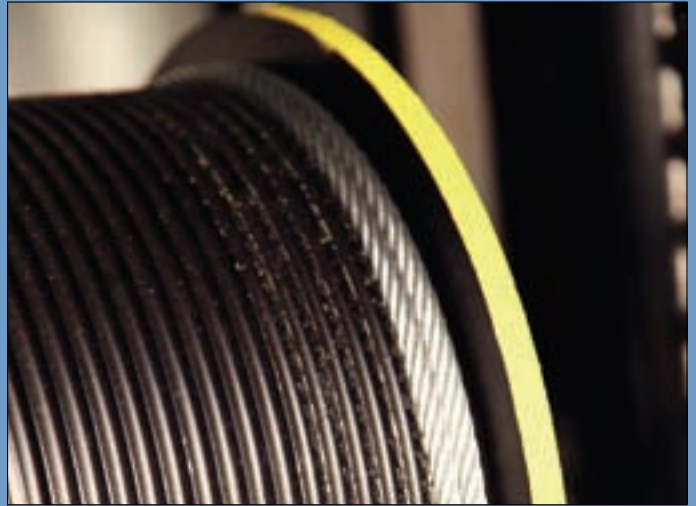
Car dimensions:

- min. 800 mm wide, max. 1200 mm wide
- min. 1100 mm deep, max. 1500 mm deep
- min. 1300 mm high, max. 2000 mm high

Location of the winding unit:

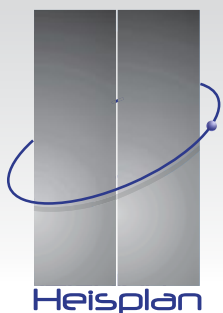
- at the bottom beside the shaft





Special executions:

- Ship lifts based upon "Lloyd's Register of Shipping"
- Goods lifts in explosive areas
- Goods lifts with higher speed
- Goods lifts with adjacent entries



Ålesund / Trondheim:

Post:
Postboks 6551 – Hatlane
6024 Ålesund

Kontor:
Vestre Bingsa Industriveg 7
6019 Ålesund

Telefon: 0047 - 95 17 17 00
0047 - 90 80 54 10

E-post: post@heisplan.no

Oslo / Stavanger / Bergen:

Post:
Slattum Terrasse 39C 1480 Slattum
Telefon: 0047 - 91 39 77 15

Besøksadresse:
Hadelandsveien 835
1482 Nittedal

www.heisplan.no
www.rulletrapp.com