

Ålesund / Trondheim:

Post:

Postboks 6551 – Hatlane
6024 Ålesund

Kontor:

Vestre Bingsa Industriveg 7
6019 Ålesund

Telefon: 0047 - 95 17 17 00
0047 - 90 80 54 10

E-post: post@heisplan.no

Oslo / Stavanger / Bergen:

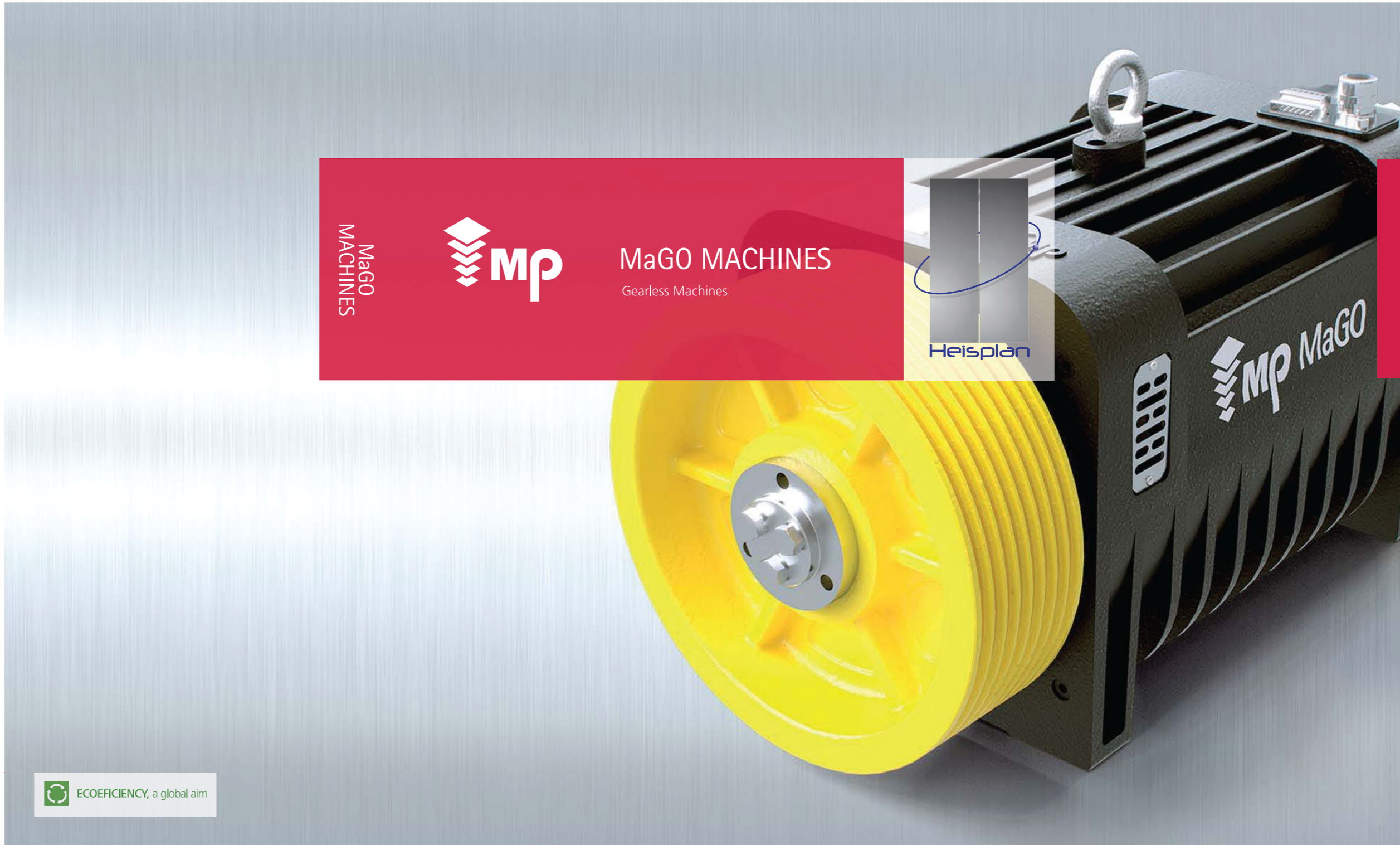
Post:

Slattum Terrasse 39C 1480 Slattum
Telefon: 0047 - 91 39 77 15

Besøksadresse:

Hadelandsveien 835
1482 Nittedal

www.heisplan.no
www.rulletrapp.com



MaGO
MACHINES



MaGO MACHINES

Gearless Machines

Heisplan

MP MaGO

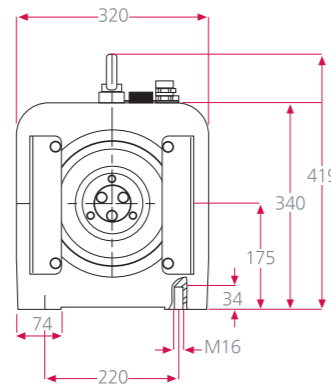
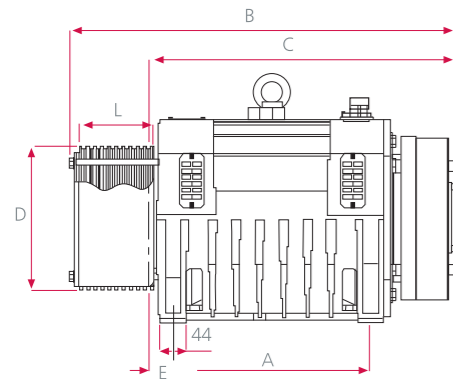
MaGO MACHINES

TECHNICAL SPECIFICATIONS

| | |
|--------------------------|-------------|
| • Rated speed (m/s) | ≤ 1.6 |
| • Travel (without chain) | ≤ 48 (≤ 27) |
| • Poles | 14 |
| • Startings-hr | 180 |
| • ED | 40% |
| • Isolation | F |
| • Noise | < 44 dBA |

DIMENSIONS

| | A (mm) | B (mm) | ØD = Ø240 | | | ØD = Ø320 | | |
|----------------------|-----------|-----------|-----------|-----------|-----------|-----------|-----------|-----------|
| | | | C (mm) | L (mm) | E (mm) | C (mm) | L (mm) | E (mm) |
| MaGO-75 / 100 / 125 | 250 | 550 | 436 | 100 | 43 | 448 | 105 | 54 |
| MaGO-150 / 175 / 200 | 330 | 645 | 515 | 124 | 43 | 527 | 105 | 54 |
| MaGO-225 / 250 / 275 | 410 | 700 | - | - | - | 595 | 105 | 54 |



MaGO SELECT TABLE

SUSPENSION 1:1 (speed 1m/s)

| Load (kg) | MODEL | MAX. STATIC LOAD (kg) | Sheave (mm) | Max. Rope (mm) | Current (A) | Rated speed (rpm) | Power (kW) | Brake | Weight (kg) |
|-----------|----------------|-----------------------|-------------|----------------|-------------|-------------------|------------|------------------------|-------------|
| 300 | MaGO-125.1.240 | 3000 | ø240 | 10x ø6.5 | 7 | 80 | 2.5 | DC105/205V 0.7 1/1.46A | 190 |
| | MaGO-150.1.320 | 3000 | ø320 | 8x ø8 | 6.5 | 60 | 2.3 | DC207V 0.48A | 200 |
| 375 | MaGO-150.1.240 | 3000 | ø240 | 10x ø6.5 | 8.5 | 80 | 3.0 | DC207V 0.48A | 200 |
| | MaGO-175.1.320 | 3000 | ø320 | 8x ø8 | 7.9 | 60 | 2.6 | DC207V 0.48A | 215 |
| 450 | MaGO-175.1.240 | 3000 | ø240 | 10x ø6.5 | 10.3 | 80 | 3.5 | DC207V 0.48A | 215 |
| | MaGO-225.1.320 | 3000 | ø320 | 8x ø8 | 10.6 | 60 | 3.4 | DC204V 0.95A | 245 |
| 525 | MaGO-200.1.240 | 3000 | ø240 | 10x ø6.5 | 11.8 | 80 | 4.0 | DC207V 0.48A | 230 |
| | MaGO-250.1.320 | 3000 | ø320 | 8x ø8 | 11.8 | 60 | 3.8 | DC204V 0.95A | 260 |
| 630 | MaGO-275.1.320 | 3000 | ø320 | 8x ø8 | 13.0 | 60 | 4.2 | DC204V 0.95A | 275 |

* Notas: Datos calculados para una eficiencia de hueco del 80% usando máquina MaGO y ascensor MPO.

La tabla es una referencia para seleccionar nuestra máquina. Debe ser calculado para su ascensor.

SUSPENSION 2:1 (speed 1m/s)

| Load (kg) | MODEL | MAX. STATIC LOAD (kg) | Sheave (mm) | Max. Rope (mm) | Current (A) | Rated speed (rpm) | Power (kW) | Brake | Weight (kg) |
|-----------|----------------|-----------------------|-------------|----------------|-------------|-------------------|------------|------------------------|-------------|
| 300 | MaGO-75.2.320 | 2500 | ø320 | 8x ø8 | 8.4 | 120 | 2.3 | DC105/205V 0.7 1/1.46A | 170 |
| 375 | MaGO-75.2.240 | 2500 | ø240 | 10x ø6.5 | 10.4 | 159 | 3.0 | DC105/205V 0.7 1/1.46A | 170 |
| | MaGO-100.2.320 | 2500 | ø320 | 8x ø8 | 9.4 | 120 | 3.0 | DC105/205V 0.7 1/1.46A | 180 |
| 450 | MaGO-100.2.240 | 2500 | ø240 | 10x ø6.5 | 11.7 | 159 | 4.0 | DC105/205V 0.7 1/1.46A | 180 |
| | MaGO-125.2.320 | 2500 | ø320 | 8x ø8 | 10.2 | 120 | 3.8 | DC105/205V 0.7 1/1.46A | 190 |
| 630 | MaGO-125.2.240 | 2500 | ø240 | 10x ø6.5 | 12.6 | 159 | 5.0 | DC105/205V 0.7 1/1.46A | 190 |
| | MaGO-150.2.320 | 2500 | ø320 | 8x ø8 | 12.4 | 120 | 4.5 | DC207V 0.48A | 200 |
| 750 | MaGO-150.2.240 | 2500 | ø240 | 10x ø6.5 | 15.3 | 159 | 6.0 | DC207V 0.48A | 200 |
| | MaGO-175.2.320 | 2500 | ø320 | 8x ø8 | 15.0 | 120 | 5.3 | DC207V 0.48A | 215 |
| 1000 | MaGO-175.2.240 | 2500 | ø240 | 10x ø6.5 | 18.6 | 159 | 7.0 | DC207V 0.48A | 215 |
| | MaGO-225.2.320 | 2500 | ø320 | 8x ø8 | 19.4 | 120 | 6.8 | DC204V 0.95A | 245 |
| 1250 | MaGO-275.2.320 | 2500 | ø320 | 8x ø8 | 23.7 | 120 | 8.3 | DC204V 0.95A | 275 |

* Notas: Data calculated for shaf efficiency 85% with MaGO machine and MPO! lift

The table is just for reference to select our machine, and should calculate for your elevator.