

**Ålesund / Trondheim:**

**Post:**

Postboks 6551 – Hatlane  
6024 Ålesund

**Kontor:**

Vestre Bingsa Industriveg 7  
6019 Ålesund

**Telefon:** 0047 - 95 17 17 00

0047 - 90 80 54 10

**E-post:** post@heisplan.no

**Oslo / Stavanger / Bergen:**

**Post:**

Slattum Terrasse 39C 1480 Slattum  
Telefon: 0047 - 91 39 77 15

**Besøksadresse:**

Hadelandsveien 835  
1482 Nittedal

**www.heisplan.no**


**www.rulletrapp.com**



MP|GLASSlift



MP|GLASSlift  
Panoramic lifts



Heisplan

FOR ALL TYPES OF BUILDING



# A NEW VISION OF ELEVATION



## MP GLASS lift

Panoramic lifts

### Aesthetics and functionality

In our MP GLASS line of elevators **functionality and design are perfectly combined to result in breathtaking vistas** from any viewpoint. The MP GLASS lift is a new perspective on elevation. Intelligence, more attractive than ever.



FOR ALL TYPES OF BUILDING

MP GLASS lifts are another example of the **innovation, flexibility and customer service** that have made us **sector leaders** worldwide. Our company philosophy is supported by its enormous **international experience**, typified by our flagship creations found worldwide. All are practical and efficient solutions that today continue to represent satisfied customers.



# Heisplan

## CUSTOMISATION

---

Projects tailored to your imagination

**Specificity in design and service.**

All MP GLASS lift products share qualities that ensure each is a **cut above**. Our dedication to excellence doesn't end there as each lift is tailored to the specific requirements of each project. The evidence for our success is the **large number of projects carried out worldwide**, each of which MP oversees from the initial phases right through to after-sale maintenance.

OPEN YOURSELF  
TO A WORLD OF  
SATISFACTION





## CONCEPT

**Close cooperation with the architect.** During the initial phase, the architect provides the ideas and then the specifications required for the implementation of the chosen design. These can be rendered in 3D to offer a clear model of the final product.

## PROJECT

**From planning to manufacturing.** The development of the project is carried out with a particular care for the integration between lift and building. Our monitoring of all phases of manufacture ensures high quality in both aesthetics and operation.

## TRANSPORT

**Specialized transport.** The transport from our factory to destination is carried out by specially trained personnel.

## INSTALLATION AND COMMISSIONING

**“Turnkey” projects.** The process ends with the installation and commissioning of the lift. Our service goes beyond: we provide maintenance for the entire lifetime of the lift.

## FREEDOM OF ADAPTATION

Standard cars: unique versatility

MP GLASS lift line has been created to offer the best solutions for any possible situation. Besides complete customisation, we offer a number of standard models designed to provide **additional value** to our glass lifts' **performance and aesthetics**.

Your specific needs will guide your choice from among the many options available, each designed to integrate into your environment, making it fashionable and functional.

### COMMON FEATURES for all the panoramic models.

**Domes:** Straight, in satin-finish stainless steel AISI 304 (X01)

**External walls:** Glazed framed in satin-finish stainless steel AISI 304 (X01)

**Internal walls:** Flush joint walls in satin-finish stainless steel AISI 304 (X01)

**Handrail:** Fitted onto glass. Tubular.

**Lighting:** Halogen lighting in a high shine mirror, satin-finish stainless steel (X12) ceiling.

**Floor:** Granite. Atica range.

Useful Internal car height: 2100 mm



### MURANO



**Type:** Square car

**View:** Transparent flat glass

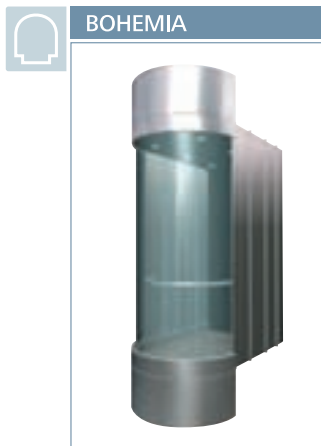


Standard panoramic cars



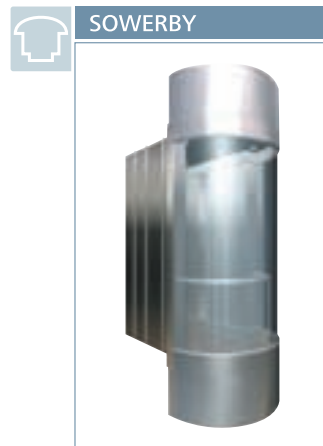
**BACCARAT**

**Type:** Polygonal car  
**View:** Transparent flat glass



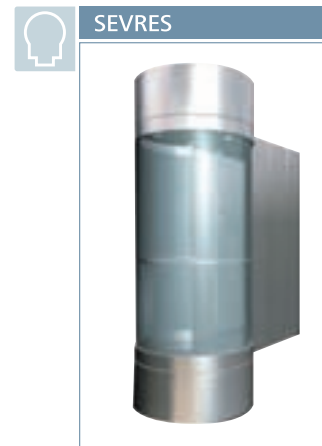
**BOHEMIA**

**Type:** Semicircular car  
**View:** Transparent 180° curved glass



**SOWERBY**

**Type:** Semicircular car  
**View:** Transparent 180° curved glass



**SEVRES**

**Type:** Semicircular car  
**View:** Transparent 270° curved glass



**SAN LUIS**

**Type:** Circular car  
**View:** Transparent 360° curved glass

Heisplan

EFFICIENT BEAUTY  
WITH INTERNATIONAL  
PRESENCE





## REFERENCES

### Functionality

All MP products are outstanding examples of functionality and the **MP GLASS lift is no exception**. The beauty of our models does not affect reliability, safety or comfort: On the contrary, it makes them yet more of a pleasure to use. Although, for once, you can enjoy more just by looking.

---

MP GLASS lift  
Regatta  
Aalesund. Norway.



---

MP GLASS lift  
OHMI European Patent Office.  
Alicante. Spain.

## Integration

In our GLASS lifts line, our design partners the architectural vision of the building and its environment, making integration much more than just a challenging goal: it is a guarantee.

---

MP GLASS lift  
Ekeris.  
Veenendaal. Netherlands

Heisplan



FOR ALL TYPES OF BUILDING





## Versatility

MP GLASS lift products can vary according to the specific uses of each installation. This versatility is proved time and again with the completion of every project.

---

MP GLASS lift  
Bluenet Office  
Seville. Spain.

# Heisplan



MP GLASS lift  
Olympique de Marseilles,  
Marseilles, France.

FOR ALL TYPES OF BUILDING









MP GLASS lift  
Seville metro,  
Seville, Spain.

## Adaptability

MP GLASS lift flexibility makes elevation solutions more versatile. This can be achieved either by customising a standard option or by creating a tailored project. It is the product that adapts to your needs.

MP GLASS lift  
Purple Jade Garden  
Beijing, China.

FOR ALL TYPES OF BUILDING

MP | GLASS lift